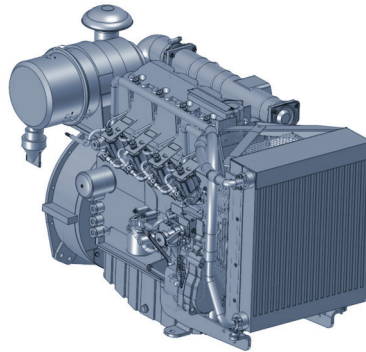


D 2011L

for generator sets

12 - 31 kW | 16 - 41 hp at 1500 min⁻¹rpm
EU Stage IIIA

- Oil-cooled 2-, 3- and 4-cylinder naturally aspirated in-line engines.
- Direct injection with single injection pumps and optional electronic governor.
- Minimised running costs due to low maintenance need and little wear.
- Best cold starting performance even under extreme conditions.



- The robust engine design allows worldwide operation even with high sulphur fuels.
- Low fuel consumption due to optimised combustion.
- Long oil change intervals of up to 1000 hours.
- A very good load response ensures an immediate power supply.

Technical data

Engine type		D 2011L02	D 2011L03	D 2011L04
No. of cylinders		2	3	4
Bore/stroke	mm in	94/112 3.7/4.4	94/112 3.7/4.4	94/112 3.7/4.4
Displacement	l cu in	1.6 95	2.3 142	3.1 190
Weight (incl. cooler and fan)	kg lb	224 494	265 584	303 668
Governing standard ¹⁾		G2	G2	G2

50 Hz / 1500 min⁻¹

Power		D 2011L02	D 2011L03	D 2011L04
Continuous Power (COP) ²⁾	kW hp	11.8 15.8	19.4 26.0	27.9 37.4
Prime Power (PRP) ³⁾	kW hp	12.4 16.6	20.4 27.4	29.4 39.4
Limited Time Power (LTP) ⁴⁾	kW hp	13.0 17.4	21.4 28.7	30.9 41.4
Fan power consumption	kW hp	0.4 0.5	0.4 0.5	0.4 0.5
Typical Generator Output COP ⁵⁾	kVA	13	21	31
Typical Generator Output PRP ⁵⁾	kVA	13	22	33
Typical Generator Output LTP ⁵⁾	kVA	14	23	34

1) According to ISO 8528-5.

2) Continuous Power: No time limitation, plus 10% additional power for governing purpose only.

3) Prime Power: Average power output ≤ 80%, no time limitation, plus 5% additional power for governing purpose only.

4) Limited Time Running Power: For up to 500 h/year, thereof a maximum of 300 h/year continuous running.

5) In consideration of a generator efficiency level of 89 - 90 % and a power factor of 0.8.

The data on this data sheet are for information purposes only and are not binding values. The data in the quotation is definitive.

50 Hz / 1500 min⁻¹

Fuel Consumption (PRP) ¹⁾		D 2011L02	D 2011L03	D 2011L04
Fuel consumption 25% load	g/kWh lb/hph	305 0.50	303 0.50	268 0.44
Fuel consumption 50% load	g/kWh lb/hph	250 0.41	240 0.39	230 0.38
Fuel consumption 75% load	g/kWh lb/hph	239 0.39	228 0.37	220 0.36
Fuel consumption 100% load	g/kWh lb/hph	248 0.41	237 0.39	226 0.37

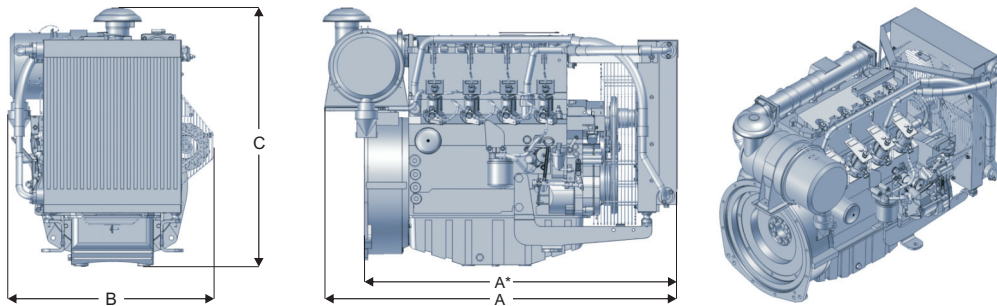
Heat balance & cooling system		D 2011L02	D 2011L03	D 2011L04
Heat dissipation (engine radiator) ²⁾	kW hp	6.8 9.1	10.9 14.6	16.1 21.6
Heat dissipation (convection)	kW hp	2.2 3.0	2.7 3.6	4.0 5.4
Cooling air flow	m ³ /h cfm	1800 1059	1800 1059	1800 1059

Inlet & exhaust data		D 2011L02	D 2011L03	D 2011L04
max. intake depression	mbar psi	20 0.29	20 0.29	20 0.29
Combustion air volume	m ³ /h cfm	61 34	86 51	122 72
max. exhaust gas temperature	°C °F	540 1004	611 1132	599 1110
Exhaust gas flow	m ³ /h cfm	169 99	236 139	337 198

1) Refers to diesel with a density of 0.835 kg/dm³ at 15°C | 6.96 lb/US gallon at 60°F.

2) The heat quantities are valid for the dimensioning of the cooling system.

Dimensions



		A	A*	B	C
D 2011L02	mm in	845 33	720 28	645 25	760 30
D 2011L03	mm in	955 38	830 33	645 25	760 30
D 2011L04	mm in	1065 42	940 37	645 25	780 31

Note: The engine dimensions and weights vary depending on the scope of delivery.

For more information please contact the DEUTZ AG Köln or the responsible sales partner.